

Schneider Kreuznach PC-Tilt/Shift lenses Put your creativity in

Focus !



PC-TS Apo-Digitar 5.6/120 HM Aspheric for the Mamiya/Phase One System Let Scheimpflug rule.

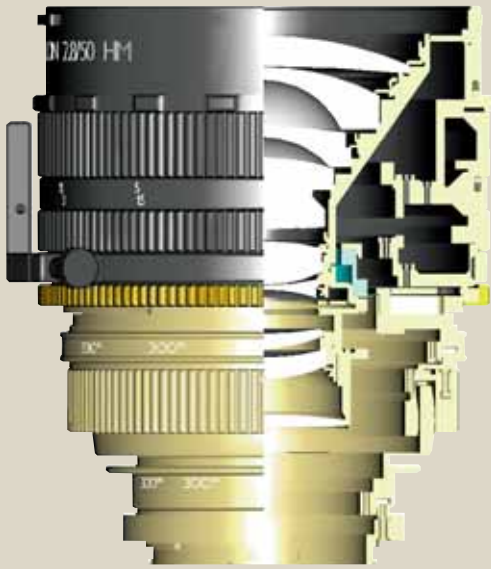


The digital medium format is used in cases where even a full-frame DSLR reaches its limits. The Mamiya/Phase One System in particular has established itself in demanding studio and on-location photography.

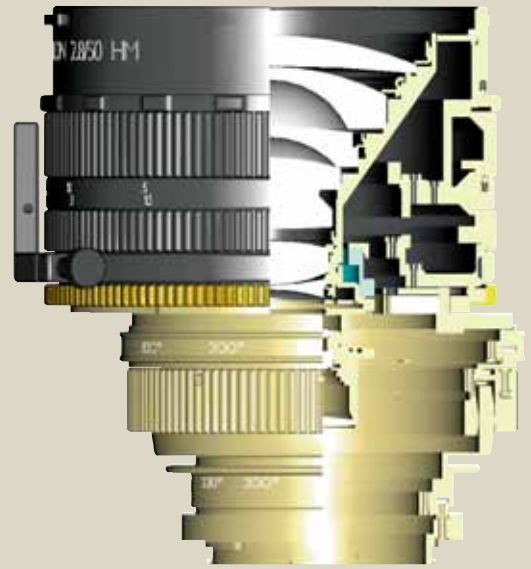
With the PC-TS Apo-Digitar 5.6/120 HM Aspheric, Schneider-Kreuznach is closing an important gap. The apochromatically corrected lens combines exceptional reproduction quality with a large image circle and excellent adjustability which is restricted only by the camera's bayonet mount.

There are therefore no limits to the photographers' creativity. They use the mobility of the digital medium format and add adjustment possibilities of the view camera. But above all: they do it in Schneider-Kreuznach perfection.

Without shift



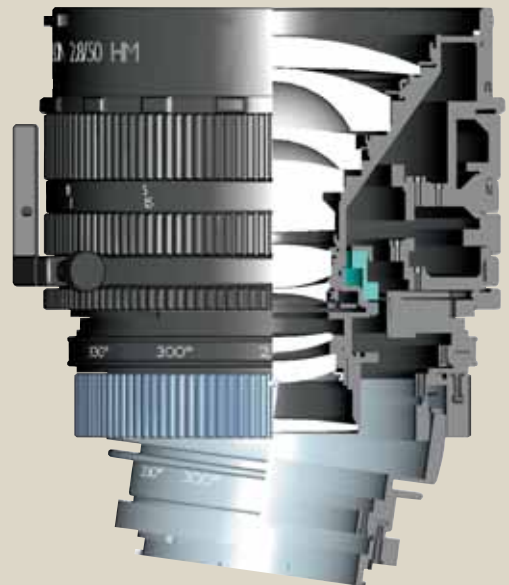
With shift



Without tilt



With tilt



Jos. Schneider Optische Werke GmbH
Ringstrasse 132
D-55543 Bad Kreuznach
Phone +49 671 601-125
Fax +49 671 601-302
foto@schneiderkreuznach.com
www.schneiderkreuznach.com

Jos. Schneider Optische Werke GmbH
is certified ISO 9001.

We accept no responsibility for any errors
and reserve the right of modification without
further notice.

© Jos. Schneider Optische Werke GmbH